

Gold series

TECHNICAL FEATURES



Description

LED beacon for industrial and safety vehicles.

OPTICAL FEATURES

European Compliance	ECE R65, R10
Light Source	LED
Optic	360°
Colour	Amber
Functioning mode	Flashing (135 Double flashes per minute)

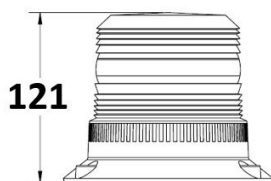
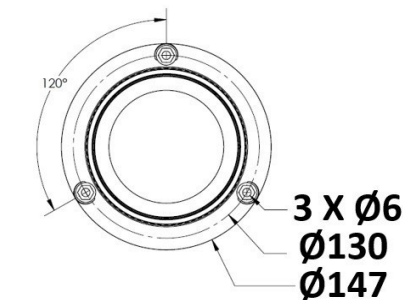
ELECTRICAL FEATURES

Power Supply	12 ÷ 24 Vdc (10 ÷ 30 Vdc)
Current consumption @ 12 Vdc	0.8 A
Power consumption @ 12 Vdc	9.6 W
Insulation class	Class III

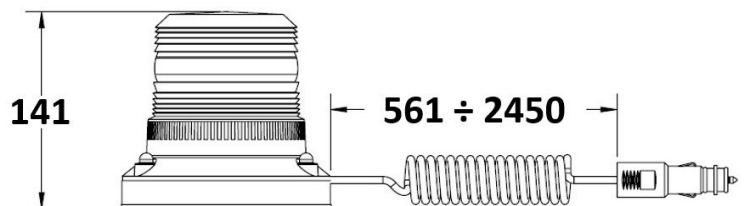
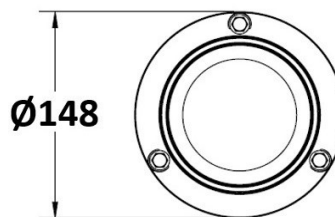
MECHANICAL FEATURES

Dimensions	Ø 147 x 121 mm	Ø 148 x 141 mm
Lens material	Polycarbonate	
Base material	ASA	
Weight	0.4 Kg	0.9 Kg
IP Protection Degree	IP65	
Operating Temperature	-30°C ÷ +50°C	
Fixing	Fixed	Magnetic

Permanente - Fixed



Magnetico - Magnetic



Rev. 3.0

18/09/2023

Approved TEC

Approved AQ