

5100 LED series

TECHNICAL FEATURES



Description

Low profile LED beacon for industrial and safety vehicles. Available version ICAO Certified.

OPTICAL FEATURES

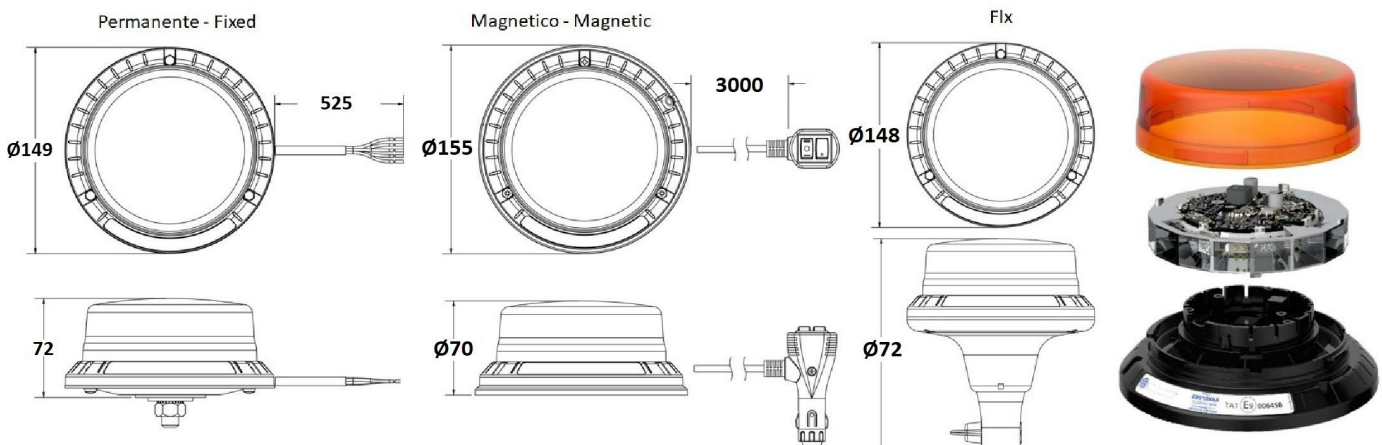
European Compliance	ECE R65, R10		
Light Source	LED		
Optic	360°		
Colour	Amber		
Flashing mode	12 selectable modes + cruise light	12 selectable modes	12 selectable modes

ELECTRICAL FEATURES

Power Supply	12÷24 Vdc (10÷30 Vdc)		
Current consumption @ 12 Vdc	2 A		
Power consumption @ 12 Vdc	24 W		
Insulation class	Class III		

MECHANICAL FEATURES

Dimensions	Ø 149 mm x 72 mm	Ø 155 mm x 70 mm	Ø 148 mm x 172 mm
Materials	Polycarbonate (Lens); aluminium (Base)		
Weight	0.75 Kg	0.88 Kg	0.72 Kg
IP Protection Degree	IP69K		
Operating Temperature	-30°C ÷ +50°C		
Fixing	Fixed	Magnetic	Flx



Rev. 3.0
19/09/2023

Approved TEC

Approved AQ